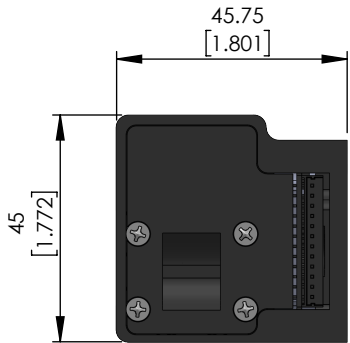


Technical Data		
Stroke (S)	5 - 19	mm
Screw Lead****	2.54 / 0.1	mm/inch
Max. Speed*****	40	mm/s
Rec. Load Limit	20 / 4	N / lbf
Max. Thrust*****	100 / 22	N / lbf
Nominal Backlash	0.127	mm
Input Voltage	24	VDC
Max. Current Draw	1.5	A



Part#:

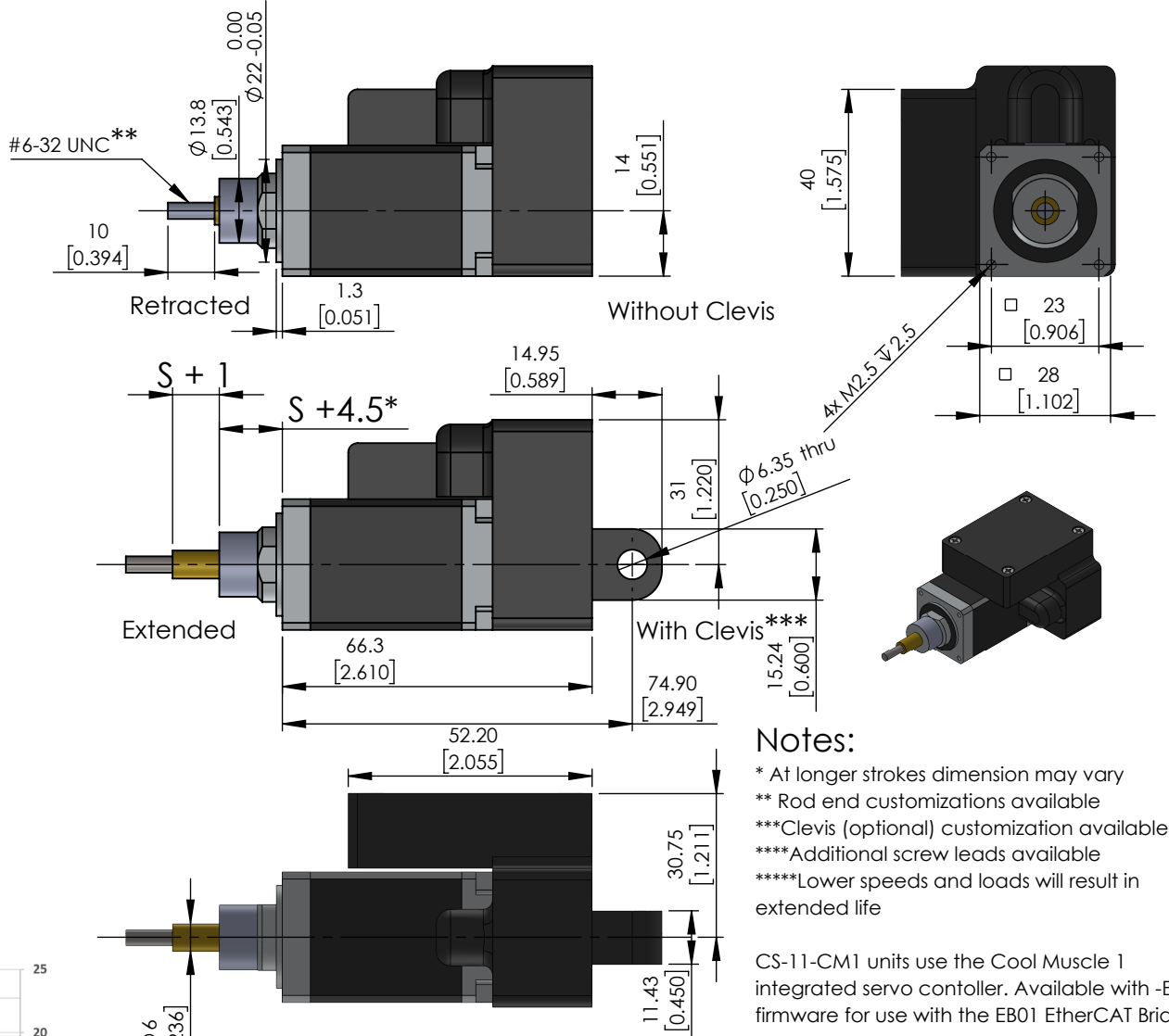
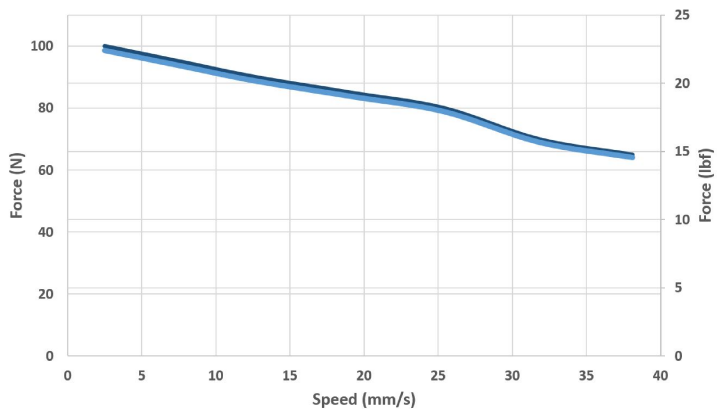
CS-11-2.54-X-CM1-C

Screw lead

Stroke (mm)

Revision/customization code

CS-11-2.54 Speed-Torque Curve



Unless otherwise specified, tolerance to be: CNS 4018 If 14 Linear measures		NAME	DATE	DO NOT SCALE DRAWING	UNITS: mm [inch]
0.5-3	±0.1	DRAWN	M.Dank	Dec 16,'20	TITLE: <b>CS-11 NEMA 11 Integrated Actuator</b>
3-6	±0.1	CHECKED	x	x	
6-30	±0.2	ENG APPR.	x	x	
30-120	±0.3			SIZE	PRT. NO.
120-315	±0.5			A	CS-11-2.54-X-CM1-C
PROPRIETARY AND CONFIDENTIAL THE INFORMATION CONTAINED IN THIS DRAWING IS THE SOLE PROPERTY OF MYOSTAT MOTION CONTROL INC. ANY REPRODUCTION IN PART OR AS A WHOLE WITHOUT THE WRITTEN PERMISSION OF MYOSTAT MOTION CONTROL INC. IS PROHIBITED.		Myostat Motion Control Inc. +1 905-836-4441 www.myostat.ca		REV	0.0
				SHEET 1 OF 1	