

Stroke (S)	Dim. A
12.7 (0.50)	36.7(1.44)
25.4 (1.00)	49.4 (1.95)
50.8 (2.00)	74.8 (2.95)

Units: mm (inch)
Other strokes 0.5" - 4" available

Screw Leads	Maximum Encoder Resolution
0.61 (0.024)	50,000
1.22 (0.048)	
4.88 (0.192)	
9.75 (0.384)	

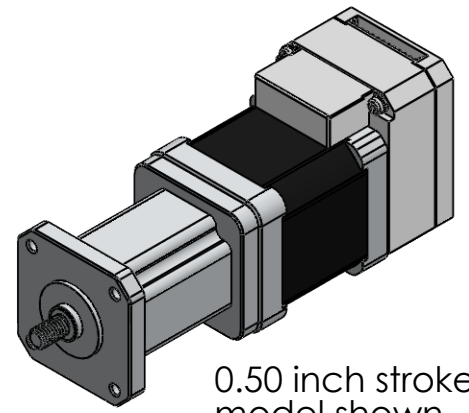
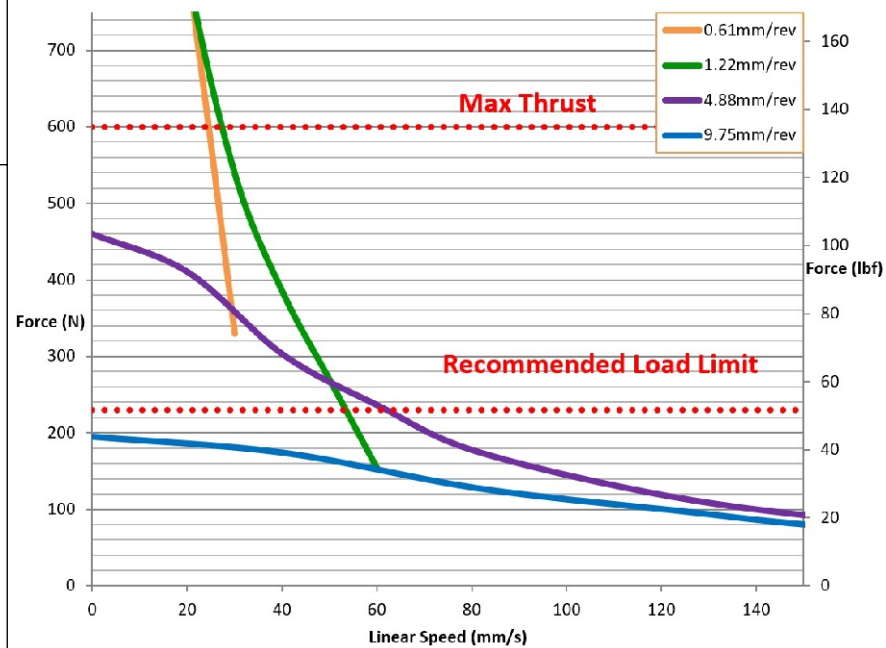
Units: mm/rev (inch/rev)
Additional lead options available

Max. Speed*	150 mm/s
Recommended Load Limit*	230N
Max. Thrust*	600N
Nominal Backlash*	0.127 mm
Lead Accuracy	0.0006mm/mm
Screw Repeatability	±0.152mm

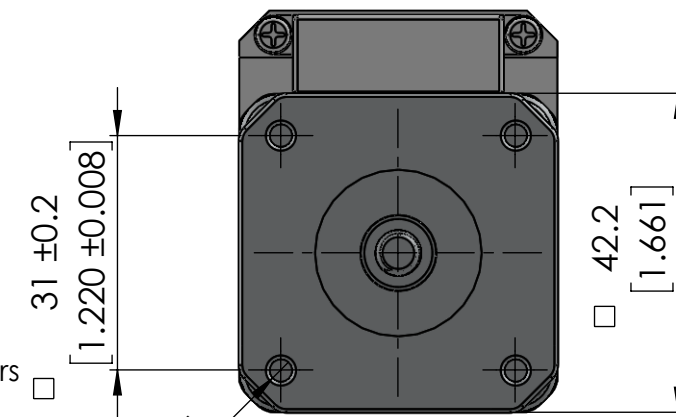
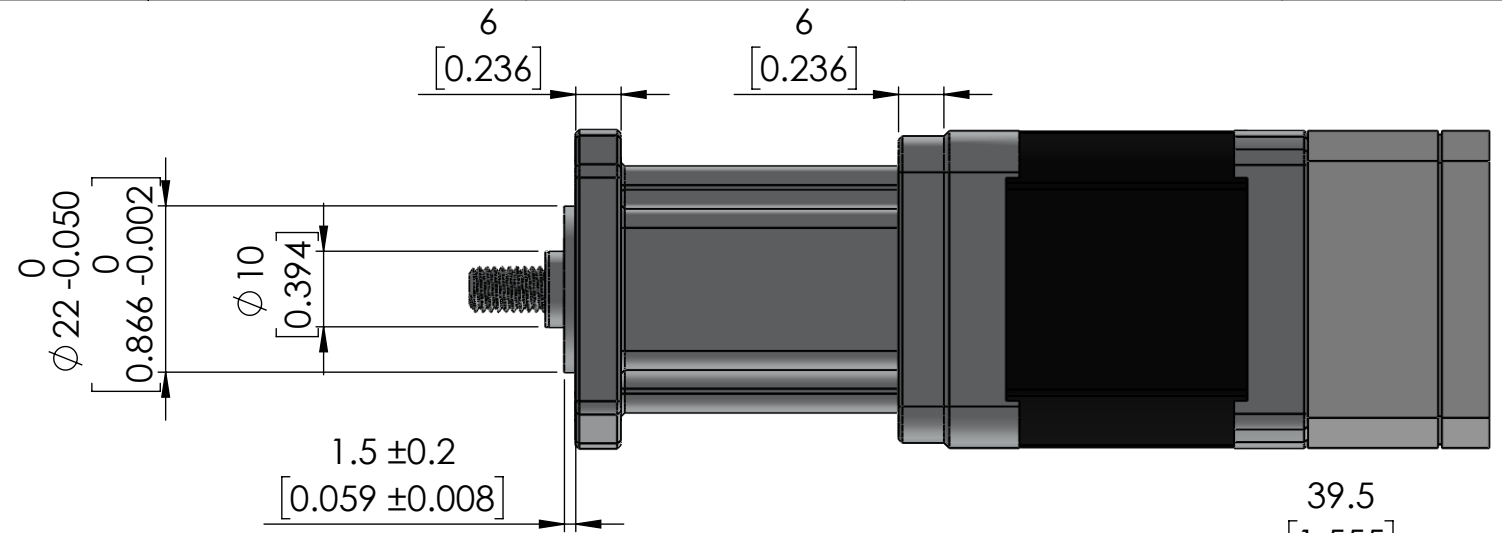
* Variable depending on lead screw & operating parameters

The Cool Muscle CSR is available with several interface modules that offer different network communications, expanded I/O, and connector options. See the Cool Muscle catalog for more details: www.myostat.ca

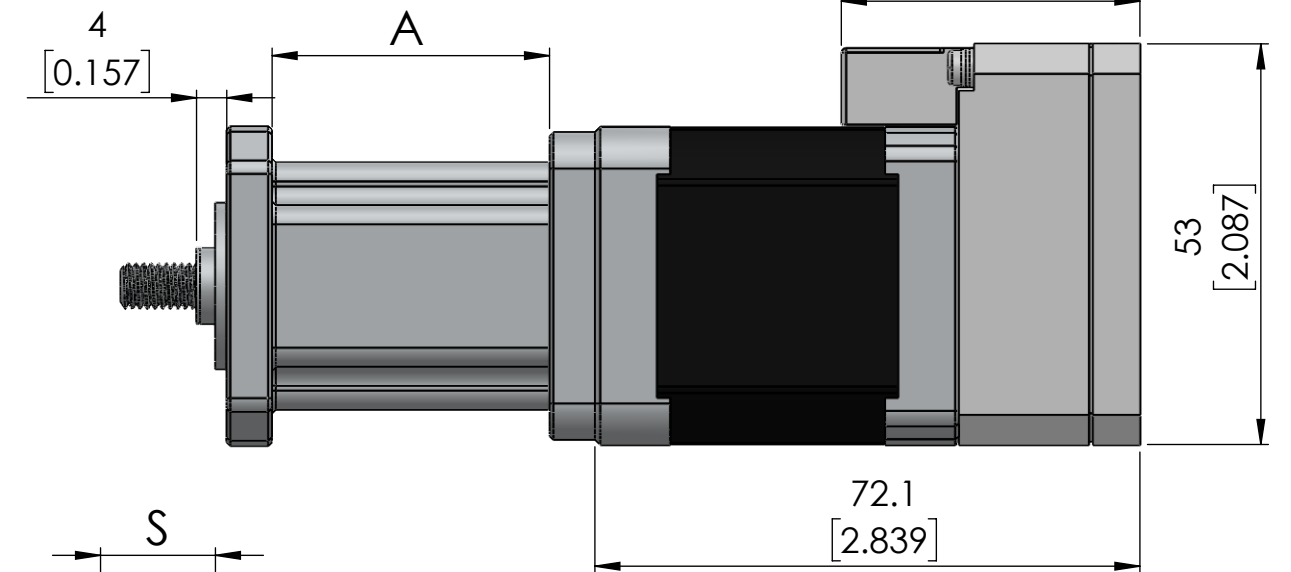
Speed Thrust Curve



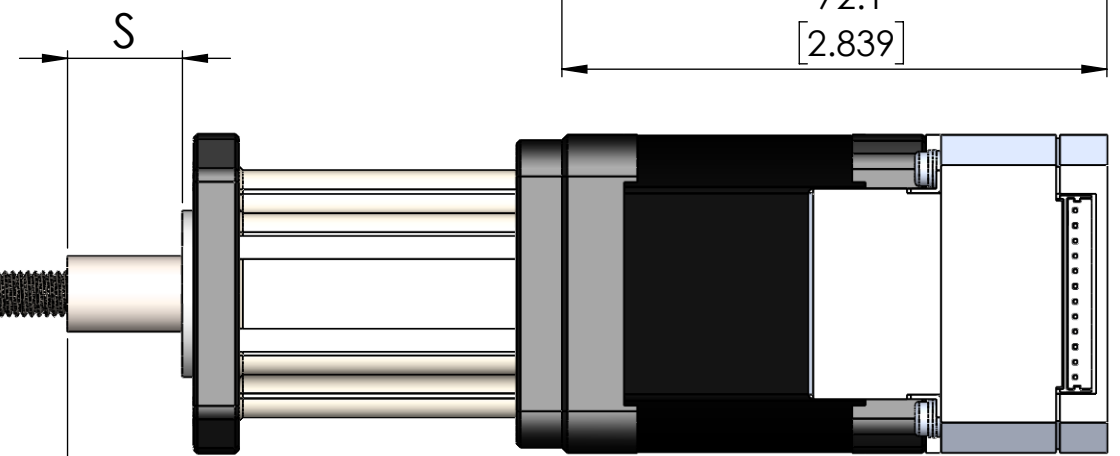
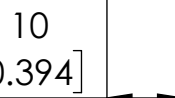
0.50 inch stroke model shown



4x M3 threaded



M6 Threaded



mm [INCH]

Naming Convention:

CSR-<Size>-<Lead>-<Stroke>-CM1

ex.
CSR-17-0.6-2.00-CM1
CSR-17-4.86-1.00-CM1

Unless otherwise specified, tolerance to be: CNS 4018 IT 14 Linear measures
0.5-3 ± 0.1
3-6 ± 0.1
6-30 ± 0.2
30-120 ± 0.3
120-315 ± 0.5

PROPRIETARY AND CONFIDENTIAL
THE INFORMATION CONTAINED IN THIS DRAWING IS THE SOLE PROPERTY OF MYOSTAT MOTION CONTROL INC. ANY REPRODUCTION IN PART OR AS A WHOLE WITHOUT THE WRITTEN PERMISSION OF MYOSTAT MOTION CONTROL INC. IS PROHIBITED.
THIS IS AN UNCONTROLLED DOCUMENT AND IS SUBJECT TO CHANGE WITHOUT WARNING.

	NAME	DATE	DO NOT SCALE DRAWING	DIMENSIONS ARE METRIC
DRAWN	M.Dank	Dec 11, 2018	TITLE: CSR17 CM1 Integrated Lead Screw Actuator	
CHECKED			SIZE B	
ENG APPR.			PRT. NO. CSR-17-□□-□□-CM1	
Myostat Motion Control Inc. 1+ 905-836-4441 www.myostat.ca			REV 2.0	
SCALE: 1:2		WEIGHT: -		SHEET 1 OF 1